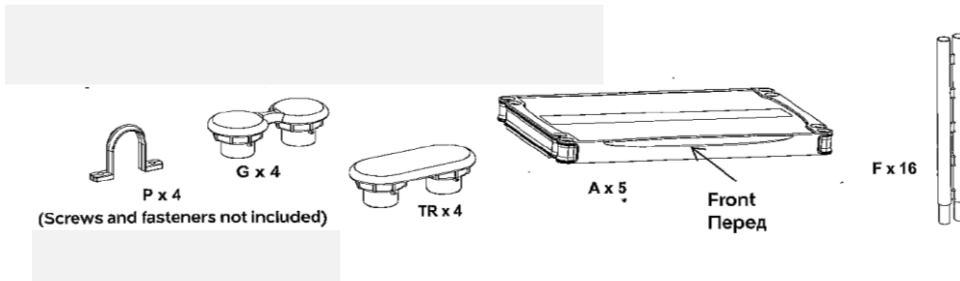


# Garageflex Assembly Instructions

Product: Modular Shelving Unit

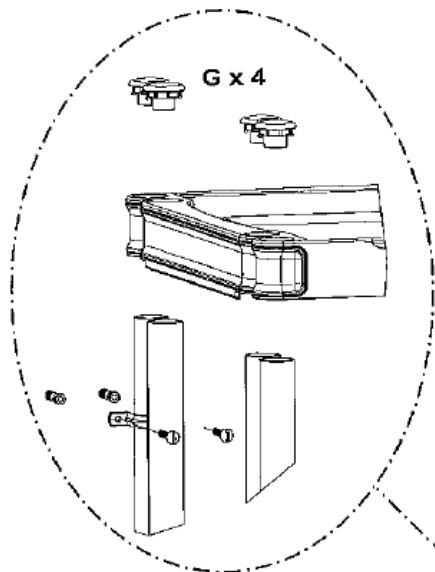


## Package Contents:



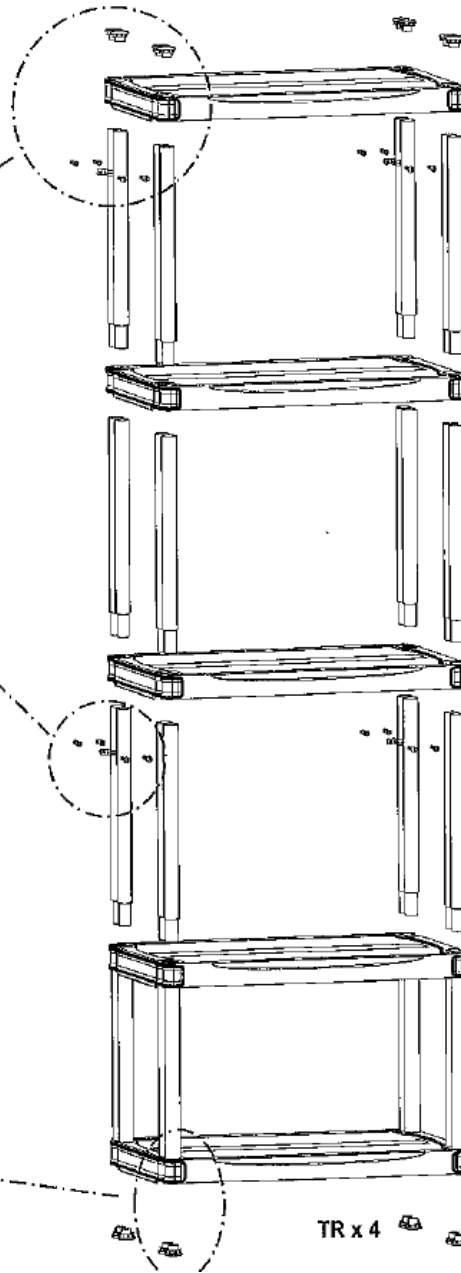
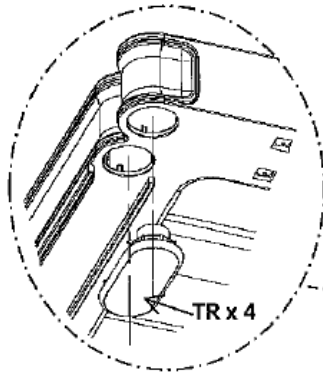
Unit 11 Westfield Farm  
Medmenham  
Buckinghamshire  
SL7 2TA

01491 579975 | [info@garageflex.co.uk](mailto:info@garageflex.co.uk)  
[www.garageflex.co.uk](http://www.garageflex.co.uk)



**! WARNING #1 !**  
 Shelf unit must be wall-fixed  
 with element P (screws and fasteners not included)  
 to grant load capacity indicated at the bottom of page

**! WARNING #2 !**  
 Element 'TR' must be assembled  
 to grant load capacity



# Garageflex

Unit 11 Westfield Farm  
 Medmenham  
 Buckinghamshire  
 SL7 2TA

01491 579975 | [info@garageflex.co.uk](mailto:info@garageflex.co.uk)  
[www.garageflex.co.uk](http://www.garageflex.co.uk)

**Please note:**

For all wall mounted modular shelving units, an FX100 will be provided which you use to fix your shelving system to the FlexiTrack or FlexiPanel.

For the 4 and 5 wall mounted shelving units, an additional cradle will be included which supports your shelving system from the bottom and is again connected to the FlexiPanel or FlexiTrack.

If you have any questions or need some advice regarding your installation, please do get in touch and we will do our best to help.

You can contact us on:

01491 579975 | [info@garageflex.co.uk](mailto:info@garageflex.co.uk)  
[www.garageflex.co.uk](http://www.garageflex.co.uk)



Unit 11 Westfield Farm  
Medmenham  
Buckinghamshire  
SL7 2TA

01491 579975 | [info@garageflex.co.uk](mailto:info@garageflex.co.uk)  
[www.garageflex.co.uk](http://www.garageflex.co.uk)